

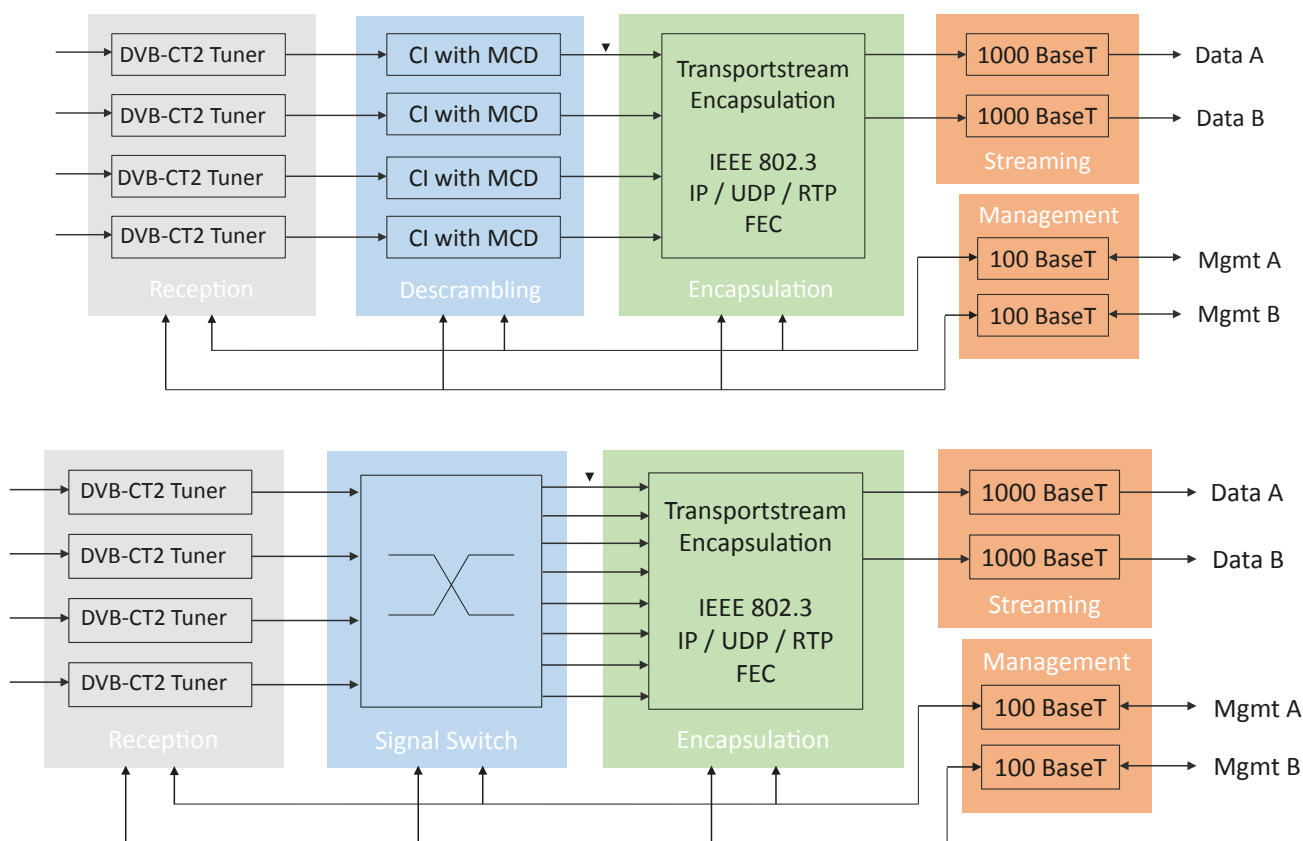


Professional IP signal-processing



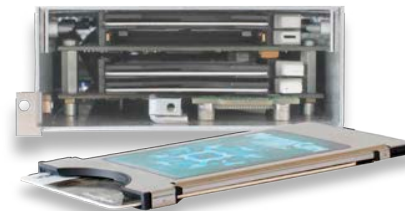
U164 / U168 - 4-х канальный DVB-C/T/T2 приемник IP Стример

- 4 x QPSK, QAM16, QAM32, QAM64, QAM128, QAM256 - 4 IP Gigabit multicast groups (для U168 - 8 IP Gigabit multicast groups)
- Управление 2 порта 1000 Base-T Ethernet (RJ-45) UDP, UDP/RTP, 1-7 packets, FEC
- Данные 2 порта 1000 Base-T Ethernet (RJ 45), IEEE802.3 Ethernet, RTP, ARP, IPv4, TCP/UDP, HTTP, SNMP, IGMPv3
- 4 слота CI (для U164), удобный доступ с передней панели, каскадирование и MCD
- Цветной дисплей на передней панели
- Резервирование всех параметров модуля на встроенной SD карте





Professional IP signal-processing



Type		U 164	U 168
Order number		380 164	380 168
EAN-Code		4026187170769	4026187170776
Number of DVB-C, DVB-T or DVB-T2 input signals		4	4
Number of IP output streams		4	8
Interfaces			
Management		2 x 100 Base-T Ethernet (RJ 45)	
Data		2 x 1000 Base-T Ethernet (RJ 45)	
Protocols		IEEE802.3 Ethernet, RTP, ARP, IPv4, TCP/UDP, HTTP, SNMP, IGMPv3	
Transportstream Encapsulation			
Protocols		UDP, UDP / RTP, 1-7 packets, FEC	
Packet length	Bytes	188 / 204	
DVB-C demodulator			
Input data rate	[Mbaud]	0,5 - 7	
Modulation modes (accord. DVB-standard)		QPSK, QAM16, QAM32, QAM64, QAM128, QAM256	
DVB-T demodulator / DVB-T2 demodulator			
Modulation		DVB-T: 4-, 16-, 64-QAM	DVB-T2: 4-, 16-, 64-, 256-QAM
FEC		DVB-T: 1/2; 2/3; 3/4; 5/6; 7/8	DVB-T2: 1/2; 3/5; 2/3; 3/4; 4/5; 5/6
FFT-Mode		DVB-T: 2k, 8k	DVB-T2: 1k, 2k, 4k, 8k, 16k, 32k
Bandwidth	[MHz]	DVB-T: 6; 7; 8	DVB-T2: 5; 6; 7; 8
Remote voltage supply		5V, typ. 100mA, switchable	
CI interfaces			
CI slots		4 x (front access)	-
Supported modules	excerpt (others on request)	Alphacrypt, Aston Conax, Dreamcrypt, Entavio CAM, GkWare BISS CAM, Homecast CAM, ICECrypt, Ideto Access, Kid CAM, Mascom Cryptoworks, Matrix CAM, Mediaguard Canal Digital, Nagravision, Oasis CAM, PCMCIA CAM, Premiere, Worldcam, TechniCam Beta2, Technicrypt, TPS, Reality CAM, SMI, Universal CAM, Viaccess, Videoguard CAM	
Connectors		4 x PCMCIA	-
RF inputs			
Connectors	Ω		75, 4 x F-jack
Common data			
Power consumption	W	28	28
Dimensions		19", 1 HE	
Ambient temperature	°C	0...+45	